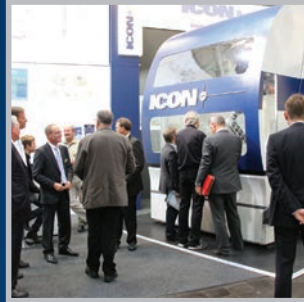


ICON+Tripod POWERFLEX



- Modular PKM 6-Axis Machine: The Very Definition of “Flexible”
- Three Tripod POWERFLEX Models Available: 300S, 700S, and 1100S
- Multi-Position Toolchanger – 40 or 80 Tool Pockets, Left or Right Hand Mount
- 800mm Rotary Table with Zero Point Clamping System
- Powerful Motor Spindle: 10,000 RPM, 35kW
- Interchangeable Front Technology Module

icon.hydromat.com

See The ICON Tripod 700S POWERFLEX

Work Envelope: 800 mm x 800 mm x 400 mm

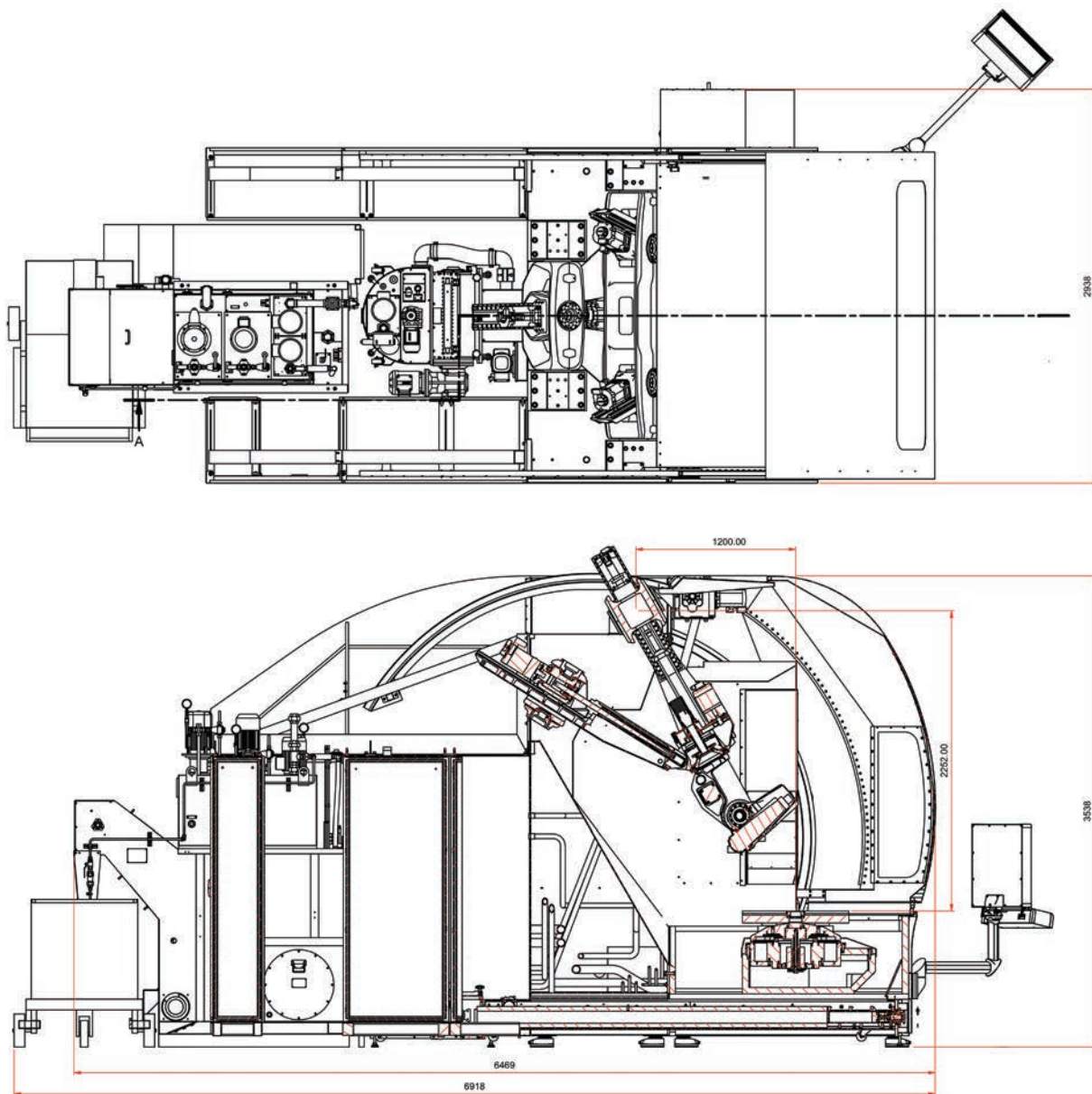
Optional Spindle: 18,000 RPM, 23kW

Rotary Table: 800 mm with zero point clamping system



ICON TECHNOLOGIES

ADVANCED MACHINING SOLUTIONS
A Division of Hydromat Inc



ICON Tripod POWERFLEX Base Models

	300S	700S	1100S
Actuator Length:	300mm	700mm	1100mm
Approx. Stroke in mm:	600x600x300	1,400x1,400x700	2,200x2,200x1100
Toolholder Size:	HSK-A42	HSK-A63	HSK-A100
Spindle Size, dia:	120	150	200
Optional Toolholders: CAT or Capto		
Spindle Performance: 10,000 or 18,000 RPM		

